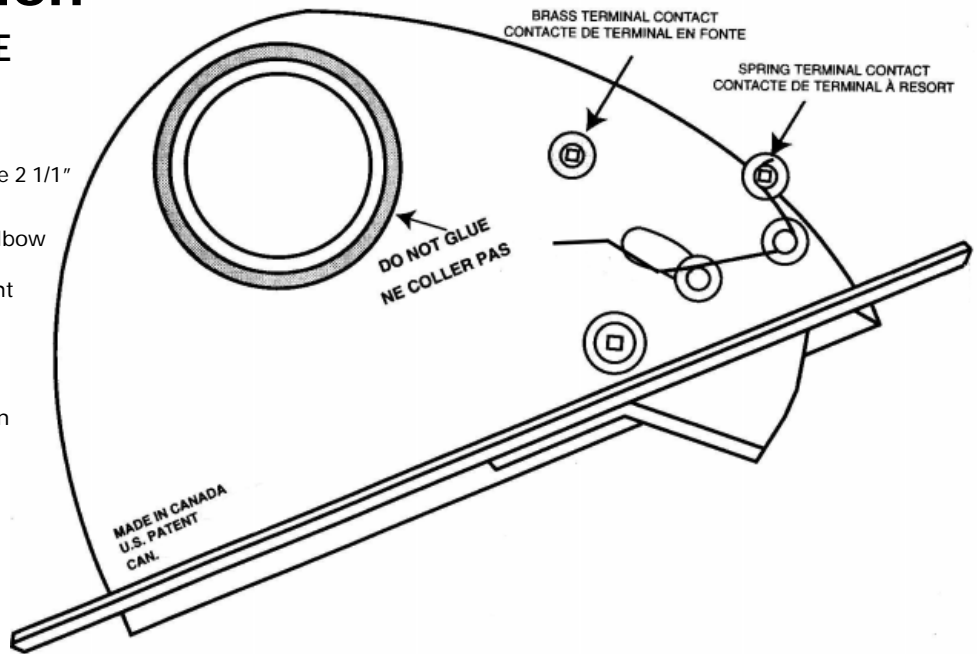


VacPan Installation

READ INSTRUCTIONS BEFORE INSTALLATION/IMPORTANT NOTES:

- For maximum clearance under cabinets use 2 1/1" x 3 1/2" short 90° elbows.
- Check for an airtight seal at VacPan and elbow prior to installation.
- If required use Teflon tape to make airtight seal but do not use glue.
- Make certain clearance is available in kick space prior to installation under cabinets.
- Use central vac. cover plate or double electrical blank plate for access cover when required.
- (See Installation #3 for optional use of QUICK TRIM/Front Entry Access Plate (QuickTrim Sold Separately.)
- Allow 1/2" play in vacuum pipe at location of VacPan so that fitting connection can be lifted to install or remove VacPan.

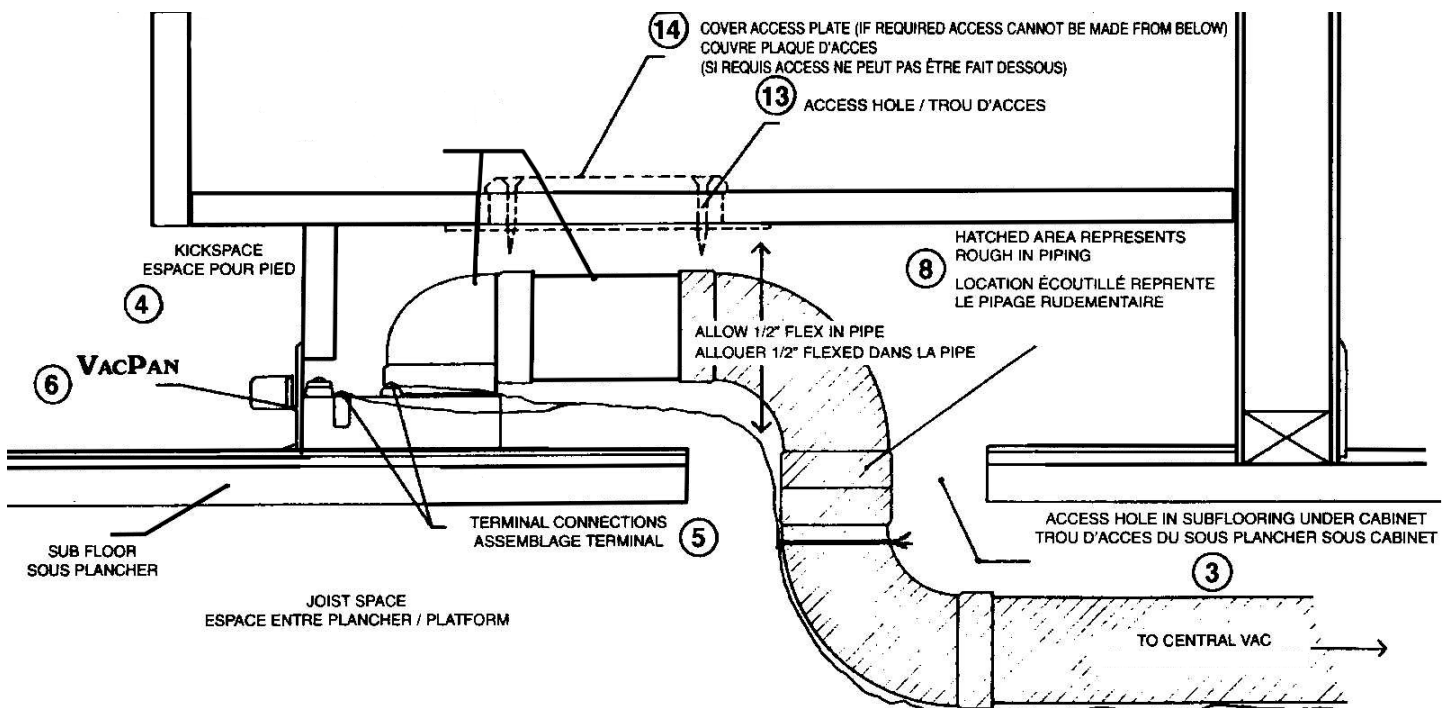


INSTALLATION #1 UNDER CABINET ACCESS TO PIPING FROM BELOW, DRAWING A

- Select a location under cabinet for VacPan (6) so that new fittings can be connected to existing pipe. Drill small reference hole under location of VacPan to determine position in basement or crawl space.
- Using a hole saw, cut access hole (3) in floor under cabinet. Position access hole (3) so that final fittings (7) can be installed by reaching through access hole (3).
- Cut 6 3/4" long slot along kick (4) of cabinet.
- Make termination connections (5). "LOW VOLTAGE ONLY"
- Slide VacPan (6) into slot and secure using #6 wood screws provided.
- Reach through access hole (3) and make final fitting connections (7).
- (See Installation #3 for optional use of QUICK TRIM/Front Entry Access Plate (QuickTrim Sold Separately.)

IF ACCESS CANNOT BE MADE FROM BELOW:

- Rough in pipe (8) through floor, provide 1/2" play in pipe.
- Provide slack in low voltage lines for future connection.
- Once cabinets are installed cut access hole (13) c/w cover plate (14). Reach through and make final connections as per previous installation.

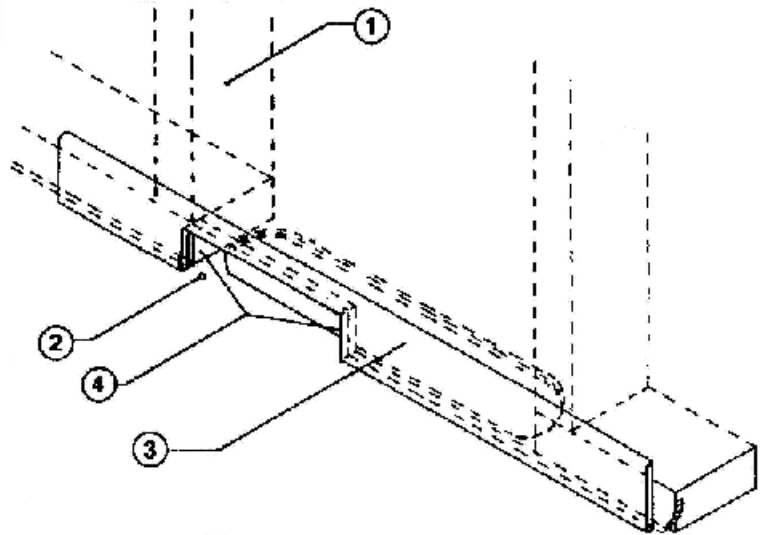


INSTALLATION #2 IN WALLS ALONG BASEBOARDS.

Drawing B.

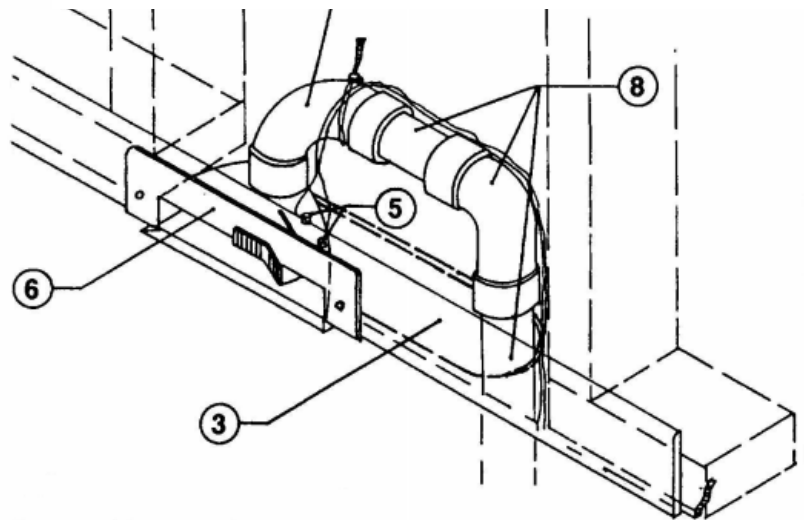
Access to piping from below.

- Locate studs (1) in the wall at the location VacPan will be installed.
- VacPan should be located tight to one side in stud space.
- Drill a small reference hole (2) through the floor under area of VacPan. This will establish location from basement.
- From below, use hole saw to remove wood floor and wood plate at location of VacPan between studs in wall cavity to provide access hole (3) from below.
- Using a 1 1/2" hole saw, remove a 6 3/4" long slot (4) in baseboard tight to one stud.



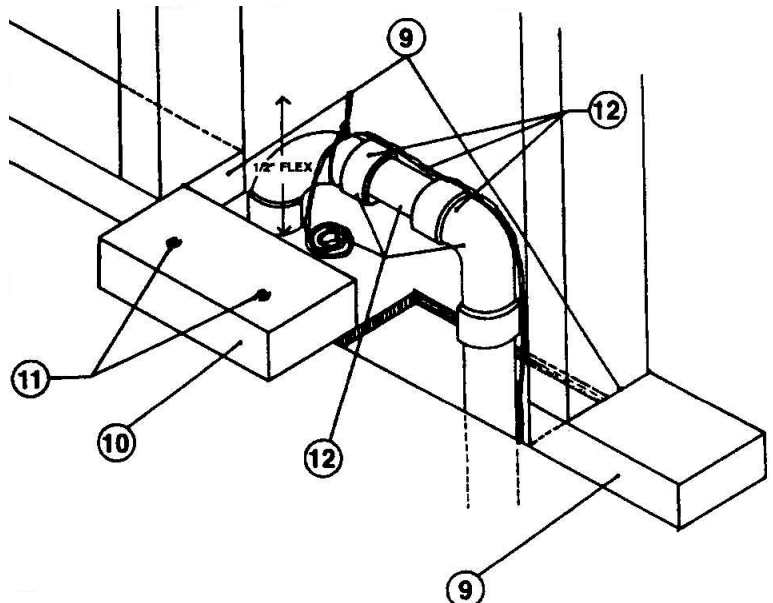
Drawing C

- Make wire connections to brass terminal and spring terminal screws (5).
- Secure VacPan (6) to baseboard using #6 screws provided.
- From below reach through hole (3) in stud space and push elbow onto VacPan (6).
- Make piping connections (8) as required to tie existing central vac piping.



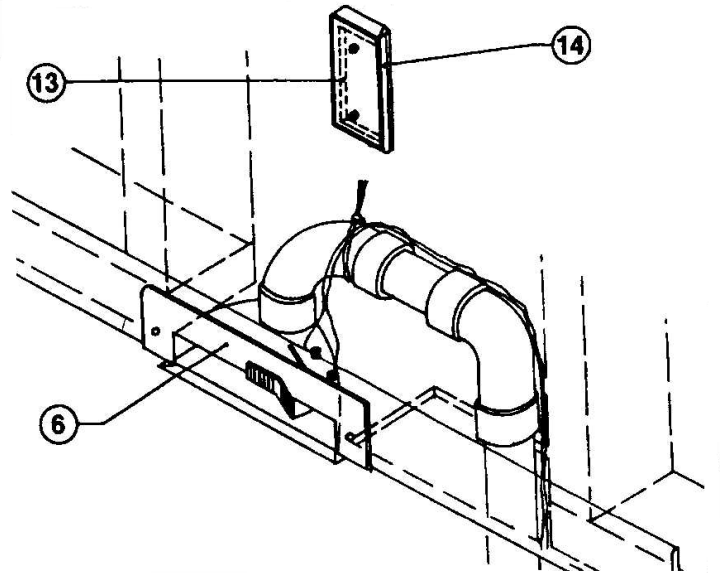
Drawing D

- Cut out wall plate (9) between two studs at location of VacPan. Cut a 6 3/4" piece of wall plate and re-fasten to floor. This will act as temporary rough-in block (10) that will force all trades to finish around providing a lot in wall for installation of VacPan. Make certain that screws (11) remain exposed so that block can be removed in the future.
- Floor contractor must run flooring under block.
- Rough in pipe and low voltage leads (12) to location of VacPan outlet.
- Ensure fitting is installed 1" off finished floor with 1/2" of play in piping to allow VacPan to be slid into position.



DRAWING E

- If ceiling is installed below and access to pipe is not possible, cut 2 3/4" x 4 1/2" access hole (13) in wall above VacPan (6). Reach through access hole, lift pipe and slide VacPan into position and push elbow onto VacPan.
- Cover access hole with cover plate (14).



INSTALLATION #3

QUICK TRIM FRONT ENTRY ACCESS COVER PLATE (SOLD SEPARATELY)/QUICK TRIM PORT

QUICK TRIM can be used in lieu of access plate shown in installation #1/Drawing #A.

- Cut access hole in the back area of cabinet.
- Install VacPan from front.
- Cover exposed hole using QUICK TRIM cover plate.

